

# SELECT PRO BOLT ON DEADLOCK



- Stainless steel deadbolt which moves 30mm (1-1/8") with one turn of the key.
- Deadbolt is adjustable on length for precise fitting on site.
- Very easy to fit and comes in two sizes.



## PRODUCT DETAILS

Product code:	Description:
SBD1601	To fit 10-30mm (1/2" - 1-1/4") gate frame
SBD1602	To fit 40-60mm (1-1/2" - 2-1/4") gate frame

Marine grade: Salt spray tested for 1000 hours.

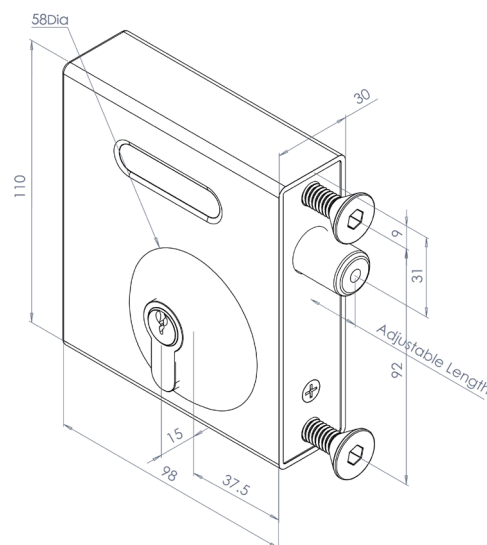
Deadbolt: Adjustable, moves 30mm (1-1/8").

Can be used for both left and right handed gates.



## INSTALLATION

- Drill 2 x 9mm (3/8") dia. holes at 92mm (3-5/8") centres for M8 fixing bolt.
- Drill 18mm (3/4") clearance hole for latchbolt at 22mm (7/8") centres down from the top 9mm (3/8") hole.
- Fix lock in place using stainless steel clamp plate, bolt support plate and 2 stainless steel countersunk fixing bolts supplied.
- Drill clearance hole in gate post to receive deadbolt/latchbolt. Slot this hole vertically to allow for gate sag – fix strike plate and bend back so the latchbolt slides smoothly.
- Ensure latchbolt moves freely without binding on gate or frame.
- MAINTENANCE** Every two months, lubricate the latchbolt with light oil. Annually, dismantle lock and spray the mechanism inside with light oil.



VISIT [GATEMASTERLOCKS.COM](http://GATEMASTERLOCKS.COM) FOR MORE INFORMATION