

GATE LOCKING BOLT



- Ⓜ This gatelock has a strong deadbolt which moves 53mm (2-1/8") with one turn of the key.
- Ⓜ It is keyed both sides and is manufactured from all stainless steel!
- Ⓜ Two sizes of eurocylinder, two colours to choose from silver or black and keyed alike available.
- Ⓜ Weld-in lock plates available separately.

PRODUCT DETAILS

Product code:	Description:
Silver	
GLB	Euro cylinder extends 24mm (1")
GLBKA	Euro cylinder extends 24mm (1"), keyed alike
GLB02	Euro cylinder extends 60mm (2-3/8")
GLB02KA	Euro cylinder extends 60mm (2-3/8"), keyed alike
Black	
GLBB	Euro cylinder extends 24mm (1")
GLBBKA	Euro cylinder extends 24mm (1"), keyed alike
GLBB02	Euro cylinder extends 60mm (2-3/8")
GLBB02KA	Euro cylinder extends 60mm (2-3/8"), keyed alike

Material: Stainless steel.

Also: Keyed alike option available. Two eurocylinder sizes to choose from and two colour options.

Suitable for left and right handed gates. Includes keep plate, 3 keys, cylinder escutcheon and stainless steel screws.

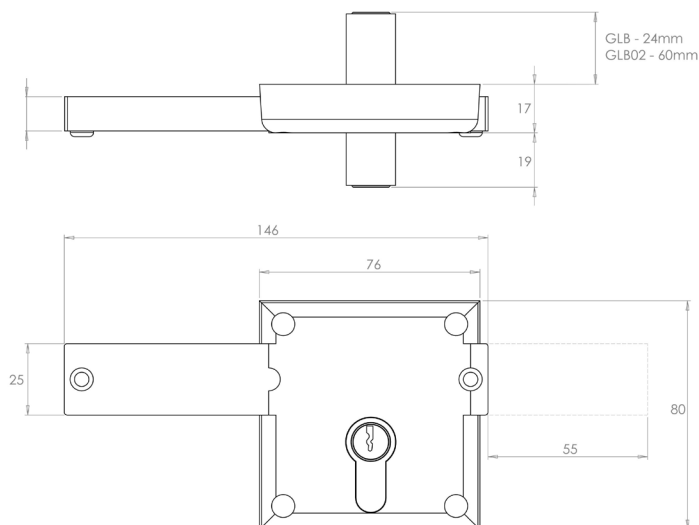


INSTALLATION

1. Mark the fixing holes for the lock on the inside of the gate, at a comfortable and accessible height.
2. Fix the lock in position with screws of your choice, ensuring that the lock is straight and level.
3. Line the keep plate up with the bolt in the locked position and screw the keep to the post or frame.
4. Test to ensure the lock is running smoothly.

[Watch the installation video](#)

MAINTENANCE Lubricate with oil periodically.



VISIT GATEMASTERLOCKS.COM FOR MORE INFORMATION