

SELECT PRO WELD IN DEADLOCK



SPECIFICATION SHEET / 151

- Stainless steel deadbolt which moves 30mm with one turn of the key.
- Deadbolt is adjustable on length for precise fitting on site.
- Lockcase made of 2.5mm steel.
- Very easy to fit and comes in four widths.

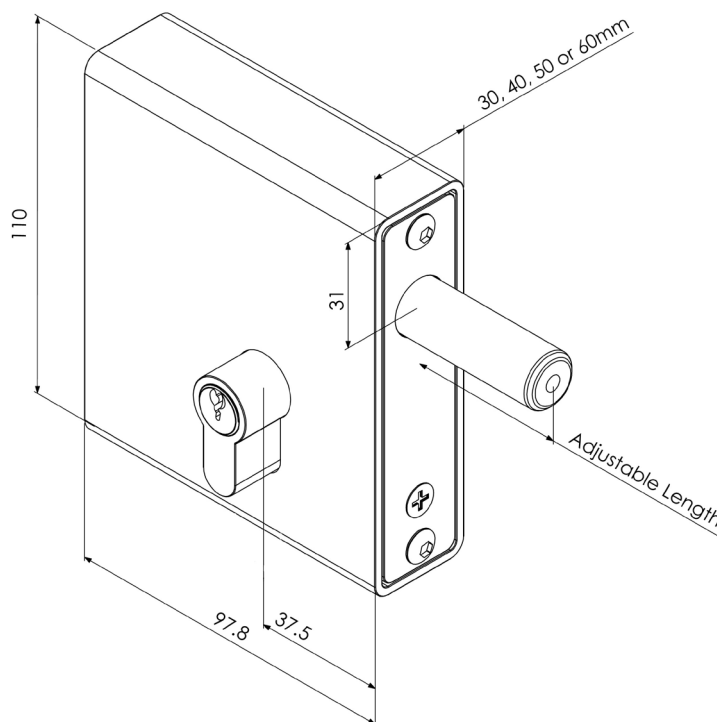


PRODUCT DETAILS

Product code:	Description:
SWD1630	For 30mm wide gate frames
SWD1640	For 40mm wide gate frames
SWD1650	For 50mm wide gate frames
SWD1660	For 60mm wide gate frames

Deadbolt: Adjustable, moves 30mm.

Can be used for both left and right handed gates.



INSTALLATION

- Weld the lockcase to the gate and galvanise or paint as part of the gate.
- Fit the lock and eurocylinder into the lockcase and secure with screws.
- MAINTENANCE** Every two months, lubricate the latchbolt with light oil. Annually, dismantle lock and spray the mechanism inside with light oil.



 GATEMASTER

VISIT SIGNETLOCKS.CO.UK FOR MORE INFORMATION

