

EXTRA HEAVY DUTY GATE LOCK



Specification Sheet / 081

- Heavy duty gate lock, designed to provide maximum protection and security when the gate is closed and locked.
- The deadbolt is totally enclosed by thick steel plates to resist the strongest of attacks.
- The base plate is welded to the gate and the lock is assembled onto it using a fixing system which is inaccessible when the gate is locked.



PRODUCT DETAILS

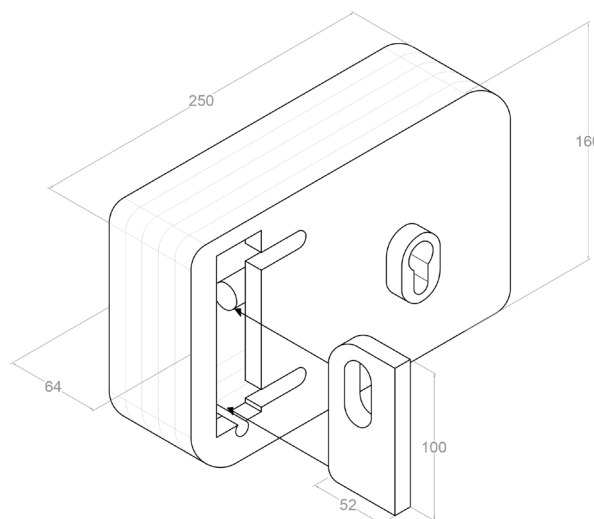
Product code:	Description:
10K	Extra heavy duty gate lock

Lock size 250 x 160 x 55mm



INSTALLATION

- Unlock and remove the keep plate.
- Remove 2x M10 bolts using the 8mm hex key provided. Bolts are accessed via slots in the rear of the lock.
- Withdraw the front plate.
- Remove 2x M8 bolts and remove the backplate.
- Weld the keep plate to the gate post (single gate) or to the gate frame (double gates).
- Weld the backplate to the gate ensuring the keep plate is positioned centrally in the rectangular opening in the backplate.
- Refit the lock onto the backplate with 2x M8 bolts.
- Place the 2x M10 bolts in the holes in the front plate ensuring they don't project through the hole.
- Place the front plate onto the lock and secure with 2x M10 bolts.
- MAINTENANCE** Spray the bolt with oil regularly.



VISIT SIGNETLOCKS.CO.UK FOR MORE INFORMATION

